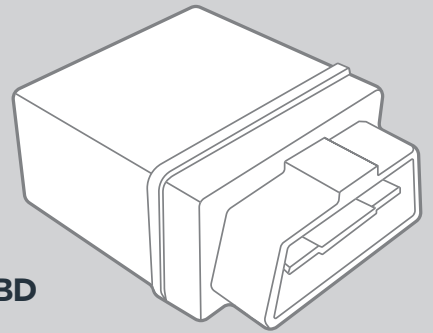


AUTOCONNECT

EASY



Model:
AC300OBD

GPS TRACKING, FLEET MANAGEMENT & DRIVER COACHING

Combine easy plug and play installation with an advanced feature rich design and you have a GPS tracking solution that is simply powerful. The device can be fitted in seconds to the OBDII diagnostic port of any car or light duty vehicle.

Know precisely where fleet drivers or family members are and where they've been. Confirm entrances and exits, be alerted to after-hours driving and excessive travel speeds, aggressive driving, and assist drivers with in-cab driver coaching features.



PLUG AND PLAY

Simple and powerfull tracking solution



REAL-TIME GPS

Locate your vehicle from anywhere



HISTORY

Review driving history and see times and routes taken



LANDMARKS

Set virtual perimeters; be notified of exits and entries



ALERTS

Receive alerts via text or email for any activity



MAINTENANCE

Set service reminders based on mileage or calendar

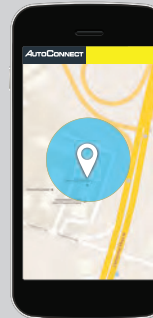
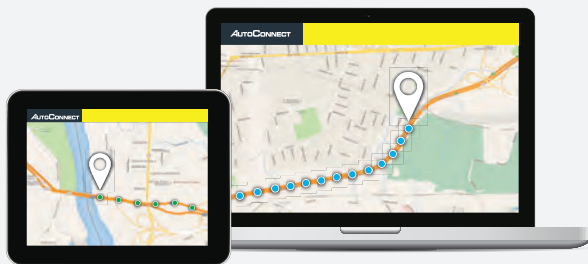


EASY SERVICE PLANS



AIRTIME PLANS	Gps	Gps+	Auto Track5	Auto Track3	Auto Track 1
GPS FEATURES					
Auto Position Updating		20Min*	5Min*	3Min*	1Min*
Unlimited On Demand Locates	•	•	•	•	•
Starter Disable On / Off	•	•	•	•	•
Voltage Request	•	•	•	•	•
Low Battery Warning w/Disconnect Alert	•	•	•	•	•
Programmable Input / Output	•	•	•	•	•
Vehicle Tow Alerts	•	•	•	•	•
Landmark Entrance / Exit Alerts	•	•	•	•	•
Geofence Breach Alert	•	•	•	•	•
Service Reminder (Virtual Odometer)	•	•	•	•	•
After hours Usage Detection	•	•	•	•	•
Over-speed Alert	•	•	•	•	•
Excessive RPM	•	•	•	•	•
Diagnostic Trouble Code Detection	•	•	•	•	•
Excessive Idling		•	•	•	•
Driver Coaching Beeper			•	•	•
Acceleration / Hard Braking Alerts			•	•	•
REPORTS					
Reporting: Asset by Location	•	•	•	•	•
Reporting: Over-speed by Location	•	•	•	•	•
Reporting: Excessive Idling by Location		•	•	•	•
Reporting: Service & Maintenance			•	•	•
Reporting: Overview by Vehicle			•	•	•

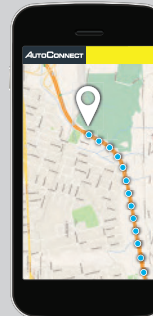
*Reporting frequency when the ignition is on.



REAL-TIME GPS TRACKING

View the real-time location and driving history of your vehicle or vehicle fleet from your Smartphone or any connected device.

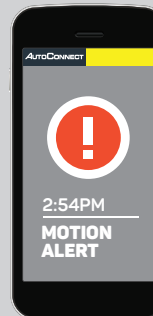
On demand location tracking
Landmark entrance/exit monitoring
Excessive idling and speed monitoring
After hours usage detection



ADVANCED AUTOTRACK REPORTING

Record the position and status of your vehicle or vehicle fleet automatically as it moves on Google Maps with AutoTrack service plans.

Live tracking
Reports each stop position
Arrival and departure times
Historical replay tool



LOCATION SECURITY MONITORING

Take comfort in knowing that your vehicle or vehicle fleet is being monitored 24/7. Set triggered alerts that you have authorized by text message or email notification.

Tow alert
Geofence breach alert
Location exit/entrance alert
After hours usage alert